

Model TF-3 and TF-4 Rapid Install Sprinkler Adapter 1 Inch Male Tapered to Female RIS Threaded Fitting

IMPORTANT

Refer to Technical Data Sheet TFP2300 for warnings pertaining to regulatory and health information.

Always refer to Technical Data Sheet TFP700 for the "INSTALLER WARNING" that provides cautions with respect to handling and installation of sprinkler systems and components. Improper handling and installation can permanently damage a sprinkler system or its components and cause the sprinkler to fail to operate in a fire situation or cause it to operate prematurely.

Scan the QR code or enter the URL in a web browser to access the most up-to-date electronic version of this document. Data rates may apply.



docs.jci.com/tycofire/tfp741

General Description

The TYCO Model TF-3 and TF-4 Rapid Install Sprinkler (RIS) Adapter 1 Inch Male Tapered to Female RIS Threaded Fitting, herein called the RIS adapter, is a conversion fitting between conventional NPT/ISO threads and TYCO Rapid Install connection technology. A typical application is to use the RIS adapter for a retrofit conversion from a conventional pipe fitting to an ESFR RIS sprinkler.

Two models of the RIS Adapter 1 Inch Male Tapered to Female RIS Threaded Fitting are available:

- Model TF-3
1 in. Male NPT to Female RIS
- Model TF-4
1 in. Male ISO to Female RIS

NOTICE

The TYCO Model TF-3 and TF-4 Rapid Install Sprinkler Adapter 1 Inch Male Tapered to Female RIS Threaded Fitting described herein must be installed and maintained in compliance with this document, as well as with the applicable standards of the NATIONAL FIRE PROTECTION ASSOCIATION (NFPA), in addition to the standards of any authorities having jurisdiction, such as FM Global. Failure to do so may impair the performance of these devices.

The owner is responsible for maintaining their fire protection system and devices in proper operating condition. Contact the installing contractor or product manufacturer with any questions.

In all cases, the appropriate NFPA or FM Global installation standard, or other applicable standard, must be referenced to ensure applicability and to obtain complete installation guidelines. The general guidelines in this data sheet are not intended to provide complete installation criteria.



Technical Data

Approvals

UL and C-UL Listed
FM Approved

Finish

Gloss Black Coated Steel

Material

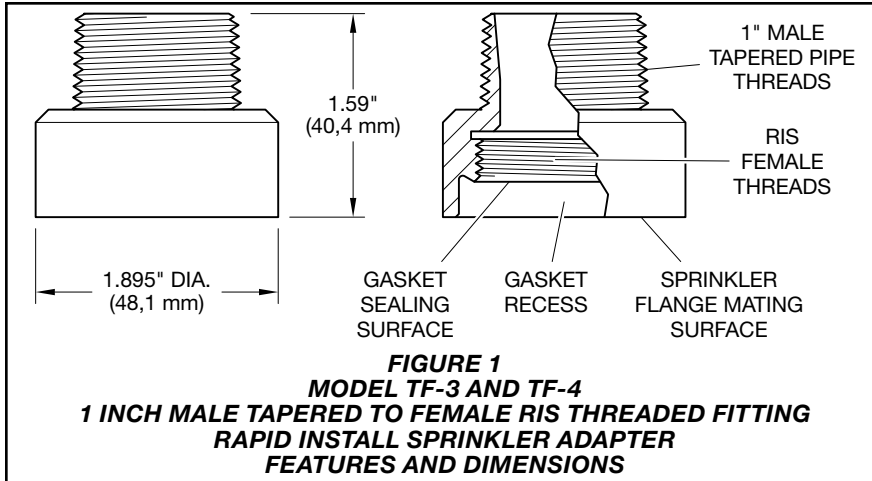
Carbon Steel

Physical Characteristics

Threaded Outlet Steel with
Zinc Chromate Coating

Design Criteria

In accordance with the requirements of NFPA, the RIS adapter must be agency approved and listed.



Installation

The TYCO RIS adapter must be installed in accordance with this section. Read the General Instructions section before proceeding to the relevant installation instructions.

Sample RIS adapter installations are shown in Figures 3 and 4.

General Instructions

Observe the following guidelines while installing the fitting:

- The TYCO Model TF-3 and TF-4 Rapid Install Sprinkler (RIS) Adapter 1 Inch Male Tapered to Female RIS Threaded Fitting is compatible with only two sprinkler models, TYCO Models ESFR-22 and ESFR-25 RISs.
- For information about installing the TYCO Models ESFR-22 and ESFR-25 RISs, refer to technical data sheets TFP327 and TFP328 respectively.

Installing the RIS Adapter

Step 1. Thread the RIS adapter onto the ESFR RIS sprinkler as shown in Figure 2 until the flange is fully seated.

Step 2. Apply pipe thread sealant to the RIS Adapter pipe threads, and hand tighten the sprinkler/adapter assembly into the pipe fitting.

Step 3. Tighten the assembly into the fitting using only the W-Type 1 sprinkler wrench as shown in Figure 2.

Note: *Optional: Use 1 in. pipe and fittings for sprinkler location adjustment - for example, an armover or a sprinkler drop as shown in Figures 3 and 4.*

NOTICE

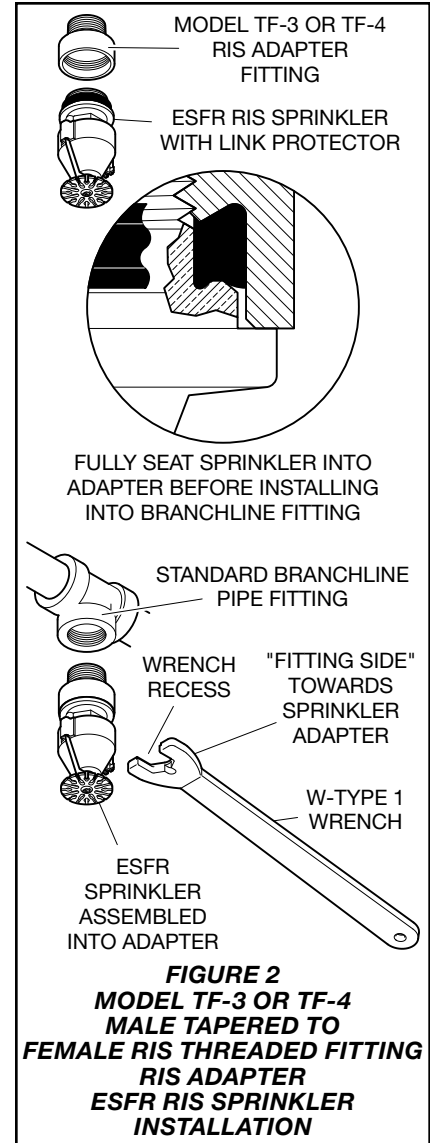
Ensure the sprinkler threads are clean and do not apply sealant such as tape or paste. Threads with debris or sealant could cause damage or impairment.

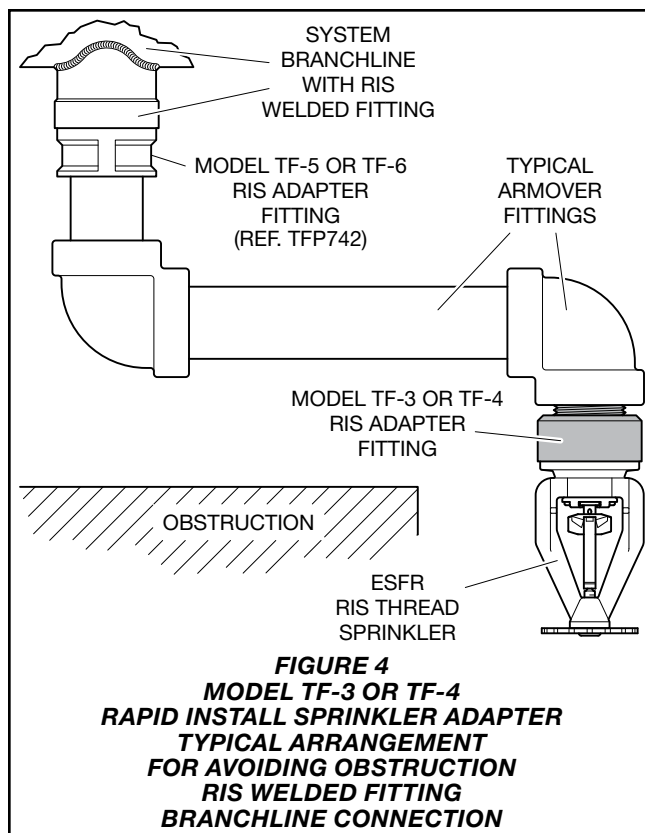
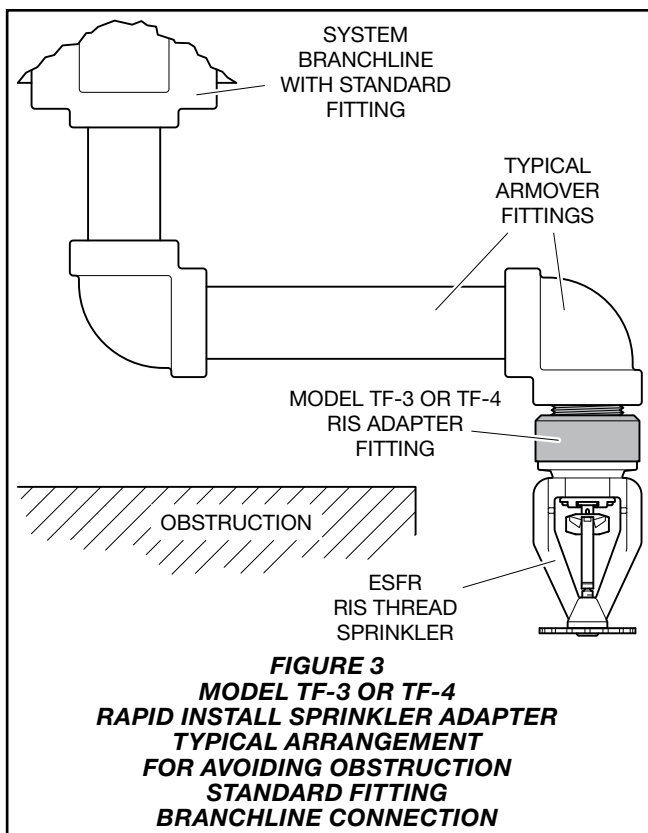
NOTICE

A leak-tight 1 in. NPT joint should be obtained by applying a minimum to maximum torque of 20 to 30 lb-ft (26,8 to 40,2 N-m). Higher levels of torque can distort the sprinkler inlet with consequent leakage or impairment of the sprinkler.

NOTICE

Use the NPT threads only to align the frame arms with the branch line if desired. The RIS flange and adapter must remain fully seated as shown in Figure 2.





Care and Maintenance

The following inspection procedure must be performed as indicated, in addition to any specific requirements of the NATIONAL FIRE PROTECTION ASSOCIATION (NFPA). Any impairments must be immediately corrected.

The TYCO RIS adapter does not require any regularly scheduled maintenance; however, proper installation of the RIS adapter should be verified during the annual visual inspection of the connection.

The owner is responsible for the inspection, testing, and maintenance of their fire protection system and devices in compliance with this document, as well as with the applicable standards of the NFPA such as NFPA 25, in addition to the standards of any authority having jurisdiction. The installing contractor or product manufacturer should be contacted relative to any questions.

It is recommended that automatic sprinkler systems be inspected, tested, and maintained by a qualified Inspection Service in accordance with local requirements and/or national codes.

After placing a fire protection system in service, notify the proper authorities and advise those responsible for monitoring proprietary and/or central station alarms.

Limited Warranty

For warranty terms and conditions, visit www.tyco-fire.com.

Ordering Procedure

Contact your local distributor for availability. When placing an order, indicate the full product name and Part Number (P/N).

RIS Adapter

Specify: Model (specify), Rapid Install Sprinkler Adapter 1 inch Male Tapered to Female RIS Threaded Fitting, NPT or ISO (specify), P/N (specify):

NPT

Model TF-3
1 in. Male NPT to Female RIS56-888-0-103

ISO

Model TF-4
1 in. Male ISO to Female RIS56-888-0-106

Sprinkler Wrench

Specify: W-Type 1 Sprinkler Wrench, P/N 56-872-1-025



Worldwide
Contacts | www.tyco-fire.com

TFP741

Change History Appendix

ISSUE DATE	NOTES
08-22	Changed model designations throughout to TF-3 and TF-4, formerly TF-1 and TF-2; Page 1, updated QR code and URL; Page 4, changed corporate address and telephone number to 1467 Elmwood Avenue, Cranston, RI 02910 Telephone +1-401-781-8220, formerly 1400 Pennbrook Parkway, Lansdale, PA 19446 Telephone +1-215-362-0700.
05-22	New Technical Data Sheet TFP741 describes Model TF-1 and TF-2 Rapid Install Sprinkler Adapter Fitting, 1 in. male tapered to female RIS threaded.